

# Radiation Shield for Climate Sensors

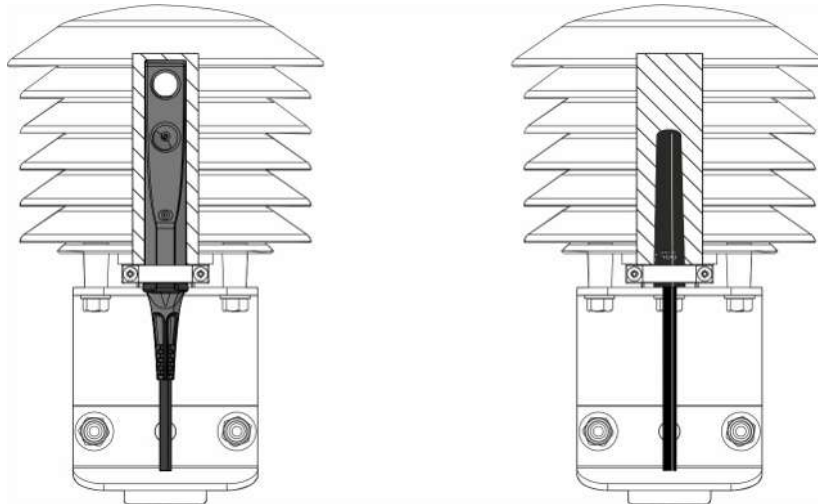


## 1 Product description

The radiation shield protects an outside temperature and/or humidity sensor from rain and radiant heat. The curved design and the light colors of the plates allow air currents to pass the sensor and at the same time prevents radiant heat from sunlight, roofing material, and surrounding surfaces from affecting the readings of the sensor.

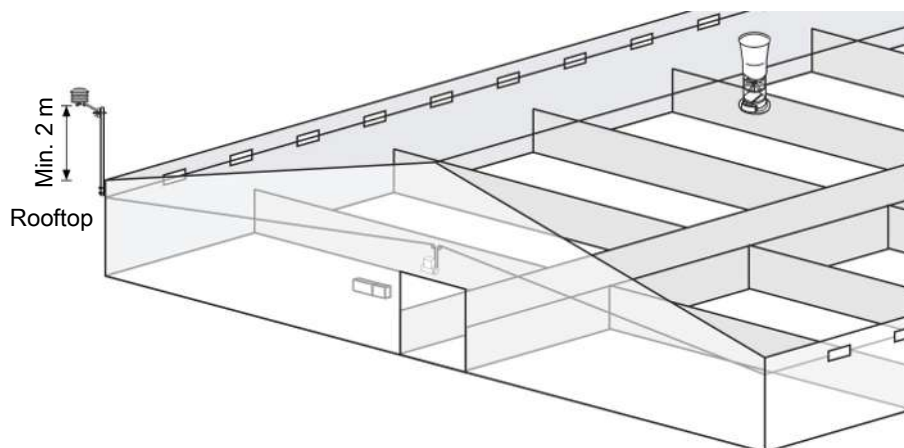
The weather protection features built-in tube mounting brackets for ease of installation. These brackets are also detachable for mounting on a surface. The brackets are specifically designed for outdoor installation.

DOL 12 temperature sensor or the DOL 114 temperature and humidity sensor can easily be installed using the sensor retainer.



### Placement

Place the radiation shield in open air without impact from hot or cold surfaces e.g. houses or other objects. We recommend placing the radiation shield 2 m (6.5 ft.) above the ground or rooftop level as illustrated.



## 2 Product survey



### 140245 Radiation shield for climate sensors

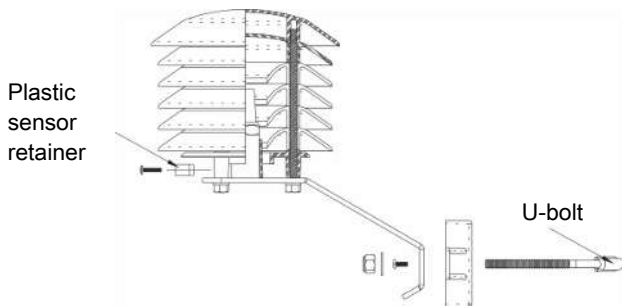
The radiation shield protects an outside temperature and/or humidity sensor from rain and radiant heat.

We recommend that the radiation shield is positioned 2 m above the roof. Alternatively 2 m above the ground and 2 m from other building elements (walls etc.)

The radiation shield is supplied with a mounting bracket.

It may be necessary to order a climate sensor with a long cable when using the radiation shield.

## 3 Mounting guide



Loosen the plastic sensor retainer on the radiation shield by unscrewing two retainer screws.

Slide the sensor completely into the radiation shield.

Make sure that the sensor is inserted as far as possible.

Screw the retainer to the radiation shield until the sensor is firmly held in place. Do not over tighten the screws.

### For pipe mounting

Remove the U-bolt from the mounting fittings.

Secure the radiation shield to a 3/4" to 1 1/2" (ø27 mm to 48 mm) iron pipe.

### For surface mounting

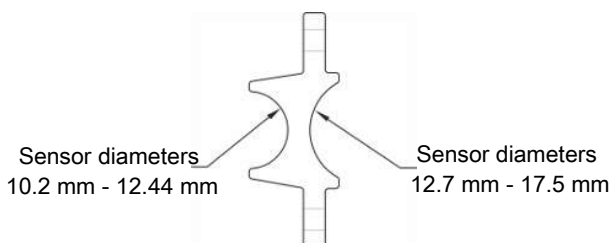
Remove the U-bolt and the screw holding the pipe-retaining fittings.

Mark the outer two holes of the mounting fittings on the surface.

Drill the two holes marked in the previous step into the surface.

Attach the radiation shield to the surface.

### Sensor retainer



This two-sided sensor retainer can be used for varying sensor diameters depending on which side of the retainer is being used.

## 4 Maintenance instructions

Clean the radiation shield when needed. At least once a year:

1. Check for damage and discoloration – replace if necessary.
2. Remove the sensor from the shield.
3. Clean out spider webs, dust and the like.
4. Clean the top of the shield for any droppings from birds.
5. Refit the sensor in the radiation shield.

## 5 Technical data

