

## DOL 18

### Electronic Sub-pressure Sensor



The DOL 18 electronic sub-pressure sensor is used in connection with climate and production computers, for climate monitoring among other things. The DOL 18 electronic sub-pressure sensor can be used for reading of the pressure in the livestock house and for generating an alarm in case of too low or too high pressure. Furthermore, the DOL 18 electronic sub-pressure sensor is often used for pressure control in central ducts. For instance, in connection with air cleaning systems.

#### DIMENSIONS

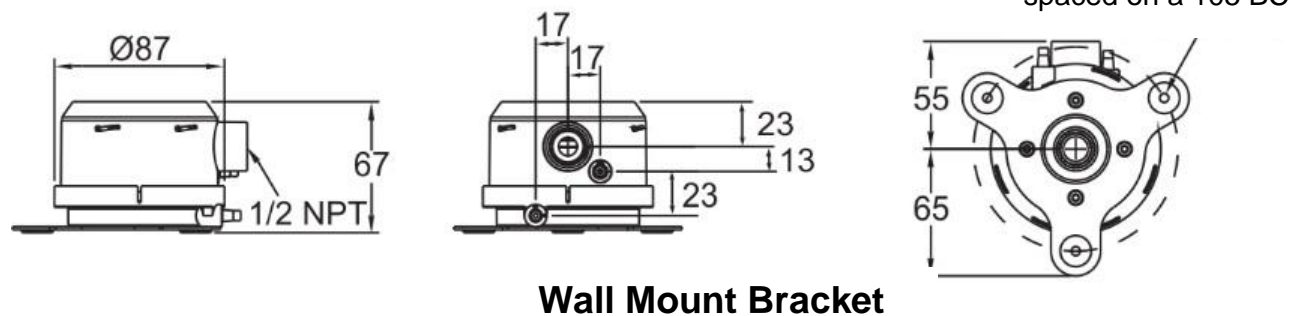


Figure 1: Dimensions (mm)

#### PRODUCT SURVEY



140233 DOL 18 ELECTRONIC SUB-PRESSURE SENSOR 100 PA

140234 DOL 18 ELECTRONIC SUB-PRESSURE SENSOR 300 PA

140305 DOL 18 ELECTRONIC SUB-PRESSURE SENSOR 100 PA W/HOSE SET

140306 DOL 18 ELECTRONIC SUB-PRESSURE SENSOR 300 PA W/HOSE SET

140235 DOL 18 HOSE SET



## TECHNICAL DATA

<b>Pressure limits</b>	1 psi (6.89 kPa) maximum, operation 10 psi (68.9 kPa) burst	
<b>Accuracy</b>	$\pm 1\%$	40Pa (0.16 w.c) 50Pa (0.2 w.c) 100Pa (0.4 w.c) 500Pa (2 w.c) 750Pa (3 w.c) 1250Pa (5 w.c)
		$\pm 2\%$
<b>Cabling</b>		
<b>2-Wire:</b>		
	Power supply:	11-35VDC
	Voltage output:	4-20mA
	Max. shunt resistance:	50-1250 $\Omega$ (see graph)
<b>3-Wire:</b>		
	Power supply:	17-35VDC / 20-33VAC
	Voltage output:	0-10V / 0-5V (dip-switch setting).
	Load resistance $R_{LOAD}$ :	>100k $\Omega$
<b>4-Wire:</b>		
	Power supply:	18-35VDC
	Voltage output and current measurement:	4-20mA and 0-10V / 0-5V (dip-switch setting).
	Max. shunt resistance:	50-900 $\Omega$ (see graph)
	Load resistance $R_{LOAD}$ :	>100k $\Omega$
<b>Stability:</b>	$\pm 1\%$ F.S. / year	
<b>Response time:</b>	Provides a 95 % response time of 1.5 to 228 seconds.	
<b>Power consumption:</b>	40 mA max.	
<b>Electrical Connections:</b>	4 to 20 mA units: 2-Wire: 0 to 10 V (0 to 5V) units: 3-wire: 4 to 20mA and 0 to 10V / 0 to 5V units 4-wire: European style terminal block for 16 to 26 AWG	
<b>Electrical Entry:</b>	1/2" NPS thread Cable gland for 5 to 10 mm diameter cable.	
<b>Process Connections:</b>	3/16" (5 mm) ID tubing.	
<b>Storage temperature:</b>	-18 °C – 66 °C	
<b>Working temperature:</b>	-18 °C – 66 °C	
<b>Enclosure rating:</b>	IP66/ NEMA 4	
<b>Mounting Orientation:</b>	Diaphragm in vertical position	
<b>Weight:</b>	230 g	