

# DOL 90 Water Meter

## Technical Info





## **1 Product description**

The DOL 90 water meter is especially designed for use in connection with controllers.

DOL 90 water meter is available in 4 different types for different water flows. The housing of the water meter is made of composite polymer plastic (130213 made of brass) and fitted with a filter in the entrance. The flow can be read on a mechanical counter and via an externally connected counter, which is controlled by a switch incorporated in DOL 90.

A small impeller is placed in the flow pipe of DOL 90. It is rotated by the water flow. The rotation of the impeller is directly proportional to the flowing water quantity per unit of time. The rotations are transmitted through a gear to the mechanical counting mechanism. The electric switch is activated by a magnet mounted on a gear.

DOL 90 can be integrated in any water system requiring exact recording of water consumption. The connection is easily made by means of the enclosed unions. The water watch must be mounted in the horizontal or vertical position (130213 only horizontal). The counter can be rotated for easy reading (130213 no rotation of the counter). When mounting the water meter please make sure that it is placed in front of a pressure valve, if any.

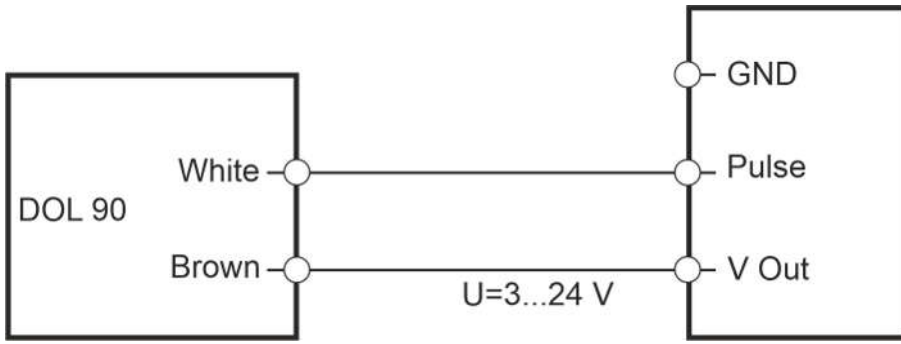


Figure 1: Example of connection

## 2 Product survey



### 130200 DOL 90, 1 IMP/1 liter

Nominal flow quantity = 1,500 liter/hour

Max. flow quantity = 2,500 liter/hour

Connection threads: 1/2"



### 130203 DOL 90, 1 IMP/2.5 liter

Nominal flow quantity = 1,500 liter/hour

Max. flow quantity = 2,500 liter/hour

Connection threads: 1/2"

Is used as a spare part for the controllers DOL 95, DOL 34H or DOL 36.



### 130207 DOL 90, 1 IMP/5 liter

Nominal flow quantity = 2,500 liter/hour

Max. flow quantity = 4,000 liter/hour

Connection threads: 3/4"



### 130213 DOL 90, 1 IMP/10 liter

Nominal flow quantity = 10,000 liter/hour

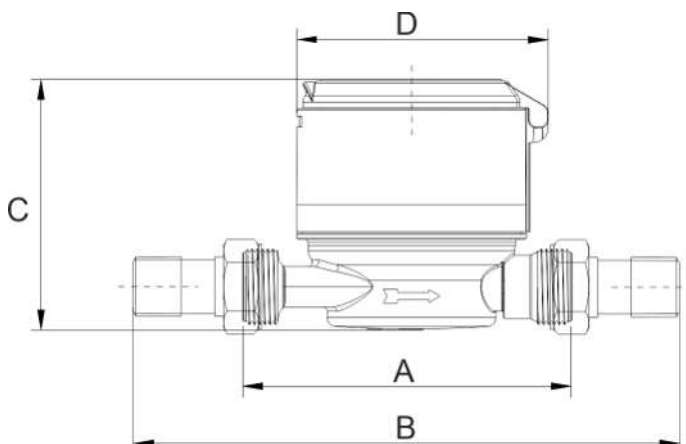
Max. flow quantity = 12,500 liter/hour

Connection threads: 5/4"

### 3 Technical data

		130200 DOL 90, 1 IMP/1 liter	130203 DOL 90, 1 IMP/2.5 liter	130207 DOL 90, 1 IMP/5 liter	130213 DOL 90, 1 IMP/10 liter
Max. flow quantity	l/h	2500	2500	4000	12500
Nominal flow quantity	l/h	1500	1500	2500	10000
Min. flow mounted horizontal	l/h	31	31	50	125
Min. flow mounted vertical	l/h	63	63	100	-
Pressure loss at nominal flow quantity	bar	0.63			0.5
Max. operating pressure	bar	16			
Min. quantity readable	l	0.02			0.01
Max. quantity readable	m <sup>3</sup>	99,999.999	99,999.99		99,999.9999
Max. water temperature	°C	30			
Connection threads	"	1/2"	1/2"	3/4"	5/4"
Reed contact	V AC/ mA	24/50			24/100
	V DC/ mA	24/50			24/100
Cable length	meter	2			
Protection class	IP	68			
Dimensions A:	mm	110	110	130	260
Dimensions B:	mm	190	190	226	-
Dimensions C:	mm	85	85	87.5	120
Dimensions D:	mm	75			85
Packing dimensions H x W x D	mm	110 x 97 x 123		110 x 97 x 143	280x120x140
Shipping weight	g	270	270	290	2050

#### 3.1 Dimensioned sketch





SKOV A/S • Hedelund 4 • Glyngøre • DK-7870 Roslev  
Tel. +45 72 17 55 55 • [www.skov.com](http://www.skov.com) • E-mail: [skov@skov.dk](mailto:skov@skov.dk)

