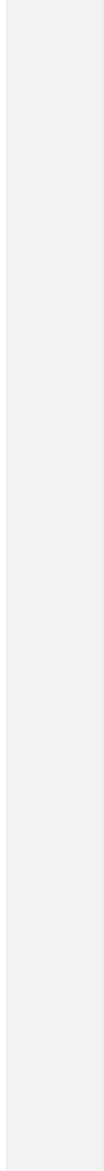
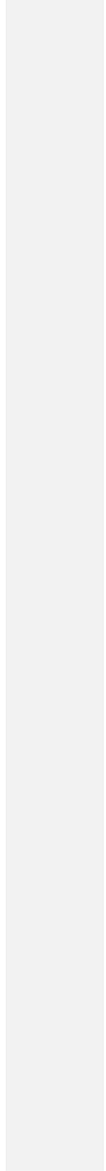






P Code Description Q Note Validity

P Code Description Q Note Validity



Revision:

Date: 26/11/2021

Oil type:

Oil quantity:

Attachment:

C=Tightening torque (Tolerance +0 ÷ -10%)

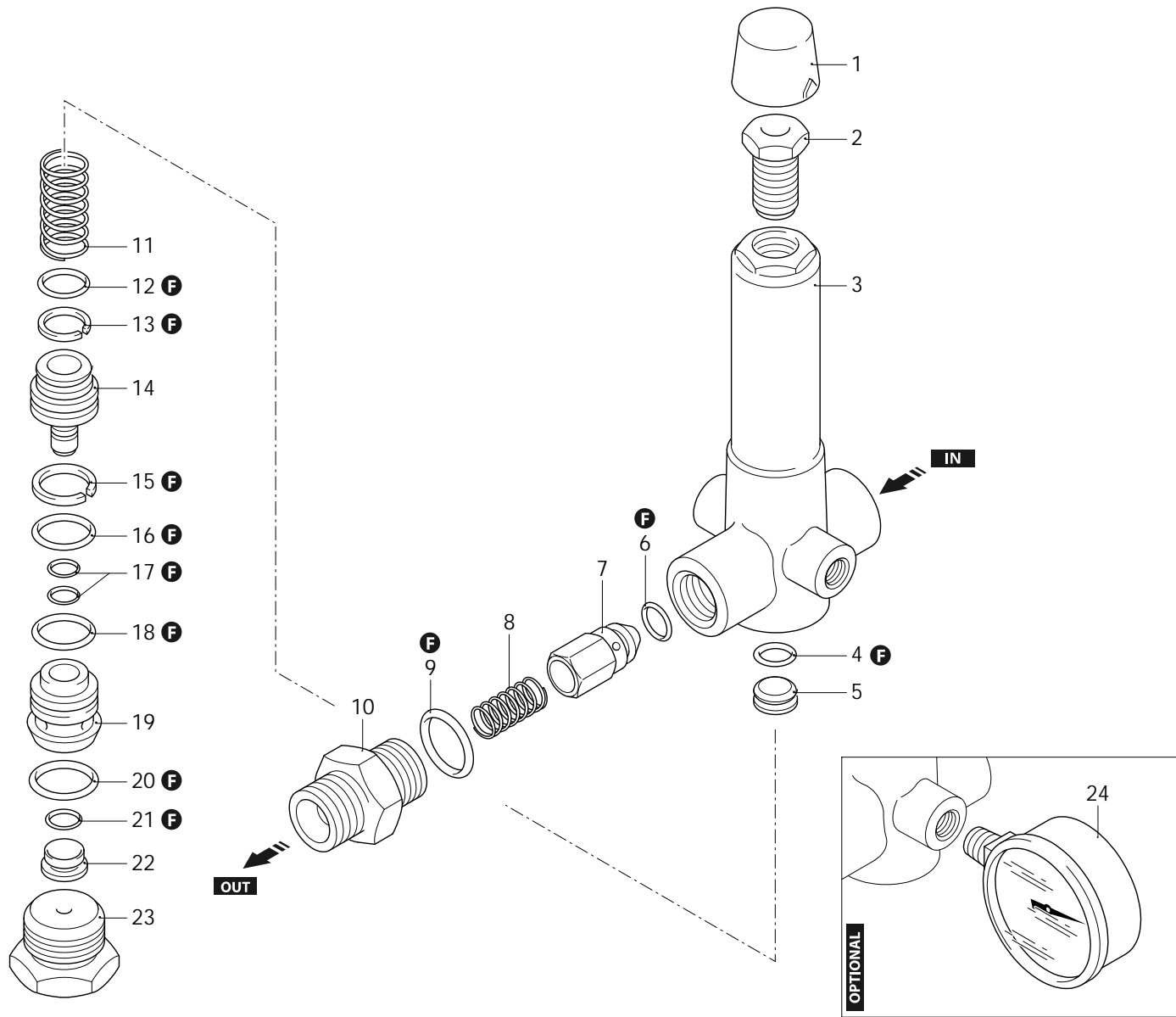




Regulation valves

ZEROMATIC/93

250 bar



AR-1_000233_v01

26/11/2021



Regulation valves

ZEROMATIC/93

250 bar

P	Code	Description	Q	Note	Validity	P	Code	Description	Q	Note	Validity
1	1020120	Cover	1								
2	1020080	Screw	1								
3	1560120	Valve body	1								
4	770570	O-ring	1	Ø 18,77x1,78							
5	1020070	Wobble plate	1								
6	1560150	O-ring	1	Ø 5,94x3,53							
7	1560100	Shutter	1								
8	1560140	Spring	1								
9	960160	O-ring	1	Ø 17,86x2,62	Lubricate with grease Molykote PG54						
10	1560130	Fitting	1	3/8" G	Screw with Loxeal 55-14						
11	1020110	Spring	1								
12	960160	O-ring	1	Ø 17,86x2,62	Lubricate with grease Molykote PG54						
13	1020190	Ring	1	anti-extrusion							
14	1020040	Piston	1								
15	1020200	Ring	1	anti-extrusion							
16	390060	O-ring	1	Ø 20,63x2,62							
17	600180	O-ring	2	Ø 7,66x1,78							
18	770260	O-ring	1	Ø 23,52x1,78							
19	1020031	Ring	1								
20	550350	O-ring	1	Ø 23,81x2,62							
21	880840	O-ring	1	Ø 9,25x1,78	Lubricate with grease Molykote G807						
22	1020061	Seat	1								
23	1020020	Plug	1	C=50Nm							
24	740260	Pressure gauge	1	Ø 63							
F	1830	Gasket kit	1								

Revision: 1

Oil type: -

Attachment:

Date: 26/11/2021

Oil quantity: -

C=Tightening torque (Tolerance +0 ÷ -10%)