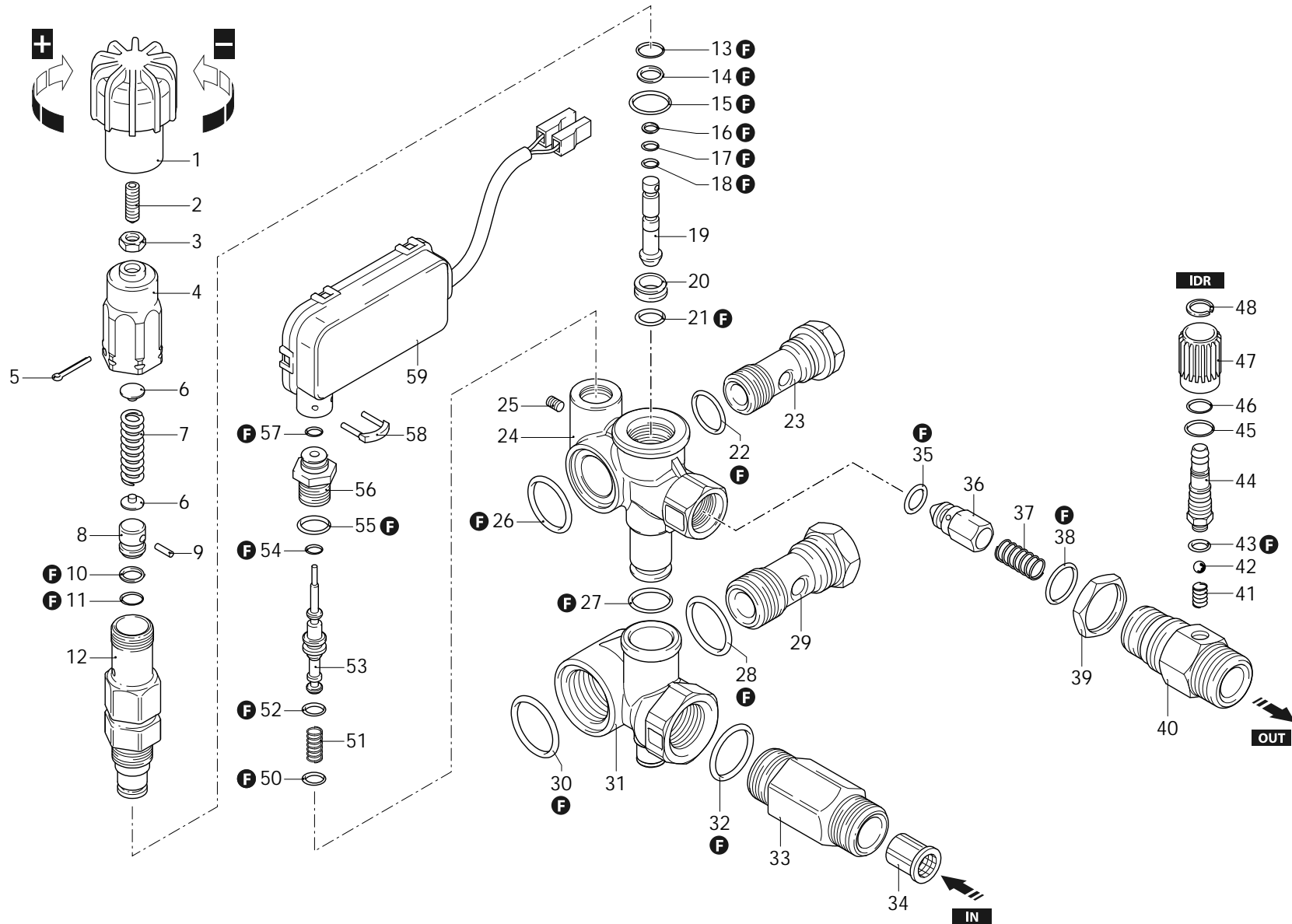




Regulation valves

MINIMATIC 4/B TSS

180 bar



AR-1_000151_v01

26/11/2021



Regulation valves

MINIMATIC 4/B TSS

180 bar

P	Code	Description	Q	Note	Validity	P	Code	Description	Q	Note	Validity
1	2360760	Knob	1			39	1540300	Nut	1		
2	392840	Screw	1			40	1540580	Fitting	1	Screw with Loxeal 55-14 / C=25Nm	
3	1980300	Nut	1			41	1560520	Spring	1		
4	2500540	Insert	1	Lubricate with grease Molykote G807		42	1250280	Ball	1		
5	2500550	Split pin	1	Fit the split pin and bend both flaps toward inside		43	480480	O-ring	1	Ø 4,48x1,78	
6	1980220	Plate	2			44	1560650	Hose tail	1	Screw with Loxeal 55-14 / C=4Nm	
7	1271070	Spring	1			45	800560	O-ring	1	Ø 8,73x1,78	Lubricate with grease Molykote PG54
8	1080041	Piston	1	upper		46	480560	O-ring	1	Ø 6,75x1,78	Lubricate with grease Molykote PG54
9	1080070	Pin	1			47	1560680	Knob	1		
10	1080401	Ring	1	anti-extrusion		48	1560660	Ring	1		
11	1080250	O-ring	1	Ø 7,66x1,78		50	1080192	O-ring	1	Ø 2,90x1,78	Lubricate with grease Molykote G807
12	1980210	Piston guide	1	Screw with Loxeal 55-14 / C=15Nm		51	1981320	Spring	1		
13	740290	O-ring	1	Ø 14x1,78	Lubricate with grease Molykote PG54	52	660191	O-ring	1	Ø 6,07x1,78	Lubricate with grease Molykote PG54
14	800560	O-ring	1	Ø 8,73x1,78	Lubricate with grease Molykote PG54	53	1540881	Piston	1		
15	880830	O-ring	1	Ø 15,54x2,62		54	1080192	O-ring	1	Ø 2,90x1,78	Lubricate with grease Molykote G807
16	1271170	Ring	1	anti-extrusion		55	880840	O-ring	1	Ø 9,25x1,78	Lubricate with grease Molykote G807
17	1080190	O-ring	1	Ø 2,90x1,78	Lubricate with grease Molykote G807	56	1540870	Plug	1		
18	1080190	O-ring	1	Ø 2,90x1,78	Lubricate with grease Molykote G807	57	1260820	O-ring	1	Ø 1,78x1,78	Lubricate with grease Molykote G807
19	1271160	Piston	1	inferiore		58	2022201	Fork	1		
20	1980200	Seat	1			59	2029758	TSS box assembly	1	G marked	
21	1470210	O-ring	1	Ø 9x1		F	42451	Gasket kit	1		
22	390080	O-ring	1	Ø 11,91x2,62	Lubricate with grease Molykote G807						
23	1540272	Screw	1	3/8" G	C=30Nm						
24	1540660	Valve body	1								
25	1981190	Screw	1	M3x5							
26	1140450	O-ring	1	Ø 20,24x2,62	Lubricate with grease Molykote PG54						
27	390080	O-ring	2	Ø 11,91x2,62	Lubricate with grease Molykote G807						
28	880270	O-ring	1	Ø 17,17x1,78							
29	2260420	Screw	1	1/2" G brass	C=40Nm						
30	1540630	O-ring	1	Ø 23,47x2,62	Lubricate with grease Molykote PG54						
31	1540280	Suction fitting	1	1/2" G							
32	480440	O-ring	1	Ø 17,13x2,62							
33	1560600	Fitting	1	1/2"G - 3/4"G (M-M)							
34	1340260	Filter	1								
35	1460430	O-ring	1	Ø 4x2,5							
36	1540170	Shutter	1	nickel							
37	1080091	Spring	1								
38	394280	O-ring	1	Ø 12,42x1,78	Lubricate with grease Molykote PG54						

Revision: 1

Oil type: -

Attachment:

Date: 26/11/2021

Oil quantity: -

C=Tightening torque (Tolerance +0 ÷ -10%)