



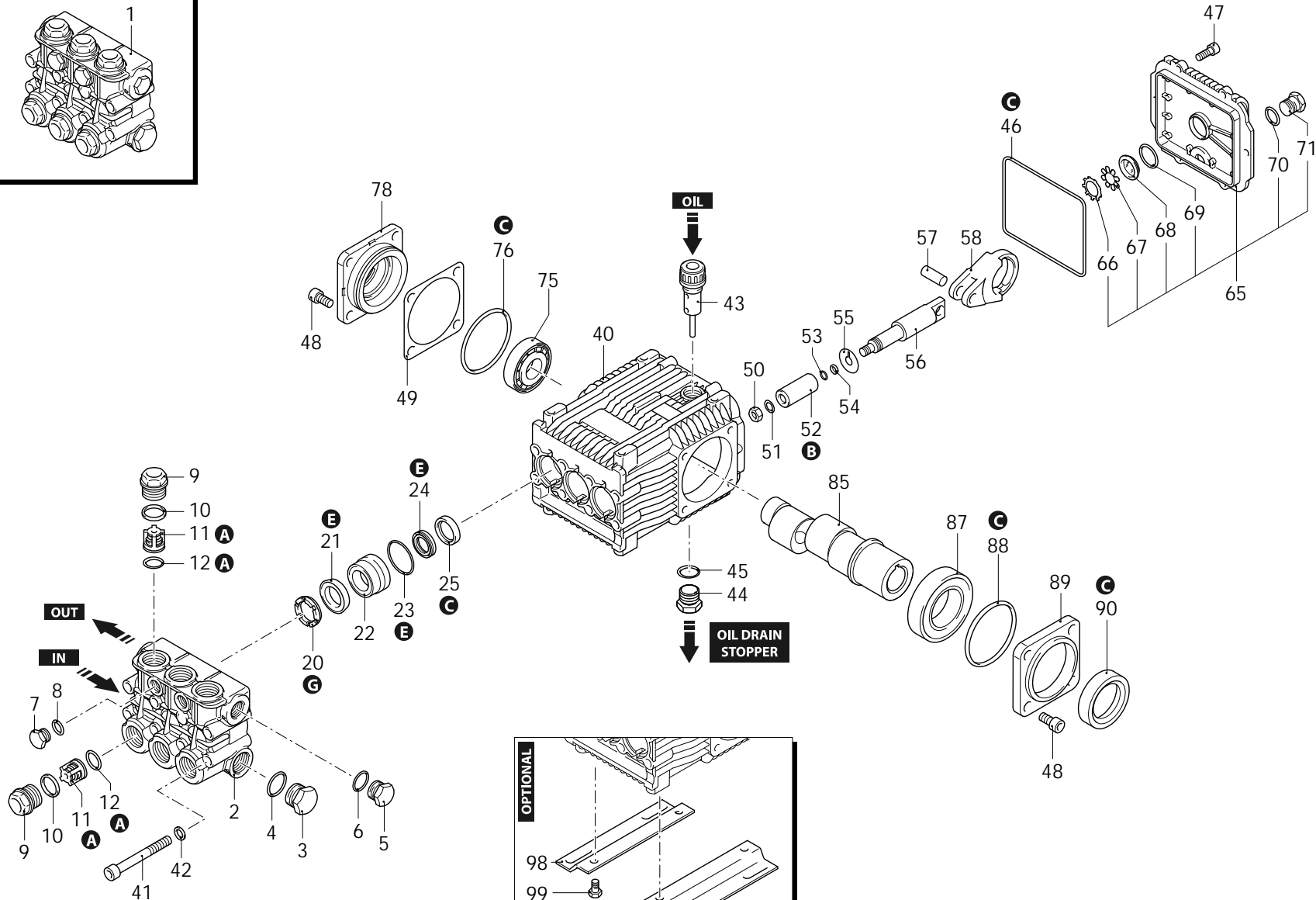
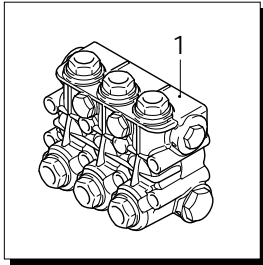
Series 228

RK

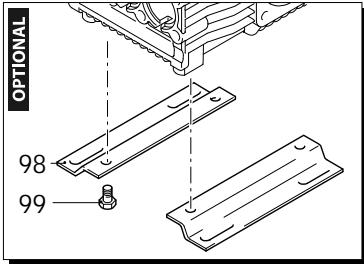
C

1450rpm

ø 28mm



- A**
- B**
- C**
- E**
- G**



AR-1_000058_v01

29/11/2021



Series 228

RK

C

1450rpm

ø 28mm

| P | Code | Description | Q | Note | Validity | P | Code | Description | Q | Note | Validity |
|----|---------|----------------|---|----------------|-------------------------------------|----|---------|------------------|---|--------------|-------------------------------------|
| 1 | 1389272 | Head assembly | 1 | Ø 18 | | 58 | 1383050 | Connecting-rod | 3 | aluminium | |
| 2 | 1381070 | Head | 1 | nickel plated | | 65 | 1789010 | Cover | 1 | complete | |
| 3 | 960870 | Plug | 1 | 1/2" G nickel | Screw with Loxeal 55-14 / C=30Nm | 66 | 1260430 | Ring | 1 | | |
| 4 | 180101 | O-ring | 1 | Ø 17,5x2 | Lubricate with grease Molykote PG54 | 67 | 1780690 | Plate | 1 | | |
| 5 | 1981180 | Plug | 1 | 3/8" G nickel | Screw with Loxeal 55-14 / C=20Nm | 68 | 1260250 | Level gauge | 1 | | |
| 6 | 740290 | O-ring | 1 | Ø 14x1,78 | Lubricate with grease Molykote PG54 | 69 | 1140450 | O-ring | 1 | Ø 20,24x2,62 | Lubricate with grease Molykote PG54 |
| 7 | 1380690 | Plug | 1 | 1/4" G nickel | Screw with Loxeal 55-14 / C=15Nm | 70 | 740290 | O-ring | 1 | Ø 14x1,78 | Lubricate with grease Molykote PG54 |
| 8 | 820510 | O-ring | 1 | Ø 10,82x1,78 | | 71 | 1980740 | Plug | 1 | 3/8" G brass | C=20Nm |
| 9 | 1380740 | Plug | 6 | nickel | Screw with Loxeal 55-14 / C=54Nm | 75 | 2280340 | Bearing | 1 | | |
| 10 | 960160 | O-ring | 6 | Ø 17,86x2,62 | Lubricate with grease Molykote PG54 | 76 | 640030 | O-ring | 1 | Ø 59,99x2,62 | |
| 11 | 1389051 | Complete valve | 6 | | | 78 | 1380050 | Support | 1 | open bearing | |
| 12 | 880830 | O-ring | 6 | Ø 15,54x2,62 | | 85 | 2280150 | Shaft | 1 | 1 marked | |
| 20 | 960110 | Ring | 3 | support Ø 18 | | 87 | 1383150 | Bearing | 1 | | |
| 21 | 1382740 | Water seal | 3 | Ø 18 | Lubricate with grease Molykote PG54 | 88 | 1380220 | O-ring | 1 | Ø 72,75x1,78 | |
| 22 | 1380090 | Piston guide | 3 | Ø 18 | | 89 | 1380210 | Cover | 1 | | |
| 23 | 961240 | O-ring | 3 | Ø 31,47x1,78 | | 90 | 621170 | Ring | 1 | seal | Assemble with tool [1781000] |
| 24 | 880330 | Water seal | 3 | Ø 18 | | 98 | 1380141 | Foot | 2 | | C=20Nm |
| 25 | 880520 | Ring | 3 | seal | | 99 | 1263130 | Screw | 4 | TE M8x12 | C=20Nm |
| 40 | 1382770 | Pump body | 1 | | | A | 2864 | Valve kit | 1 | | |
| 41 | 820150 | Screw | 8 | TCEI M8x70 | | B | 2757 | Piston kit | 1 | Ø 18 | |
| 42 | 1381850 | Washer | 8 | | | C | 1856 | Oil seal kit | 1 | | |
| 43 | 880130 | Plug | 1 | | | E | 1857 | Water seal kit | 1 | Ø 18 | |
| 44 | 1980740 | Plug | 1 | 3/8" G brass | C=20Nm | E | 2809 | Water seal kit | 1 | Ø 18 Viton | |
| 45 | 740290 | O-ring | 1 | Ø 14x1,78 | Lubricate with grease Molykote PG54 | G | 1829 | Support ring kit | 1 | Ø 18 | |
| 46 | 1780510 | O-ring | 1 | Ø 106x3 | | | | | | | |
| 47 | 1343510 | Screw | 6 | TCEI M6x14 | C=10Nm | | | | | | |
| 48 | 850370 | Screw | 8 | TCEI M8x16 | C=24,5Nm | | | | | | |
| 49 | 1380120 | Shim 0.10mm | 1 | | | | | | | | |
| 49 | 1380130 | Shim 0.19mm | 1 | | | | | | | | |
| 49 | 1380530 | Shim 0.25mm | 1 | | | | | | | | |
| 50 | 962010 | Nut | 3 | | | | | | | | |
| 51 | 962000 | Washer | 3 | | Screw with Loxeal 55-14 / C=20Nm | | | | | | |
| 52 | 1380940 | Piston | 3 | Ø 18 | | | | | | | |
| 53 | 600180 | O-ring | 3 | Ø 7,66x1,78 | | | | | | | |
| 54 | 1080401 | Ring | 3 | anti-extrusion | | | | | | | |
| 55 | 1380950 | Plate | 3 | | | | | | | | |
| 56 | 1380920 | Piston | 3 | guide | | | | | | | |
| 57 | 1380060 | Pin | 3 | | | | | | | | |

Revision: 1

Oil type: SAE 15W40

Attachment:

Date: 29/11/2021

Oil quantity: 0,435 Kg

C=Tightening torque (Tolerance +0 ÷ -10%)