

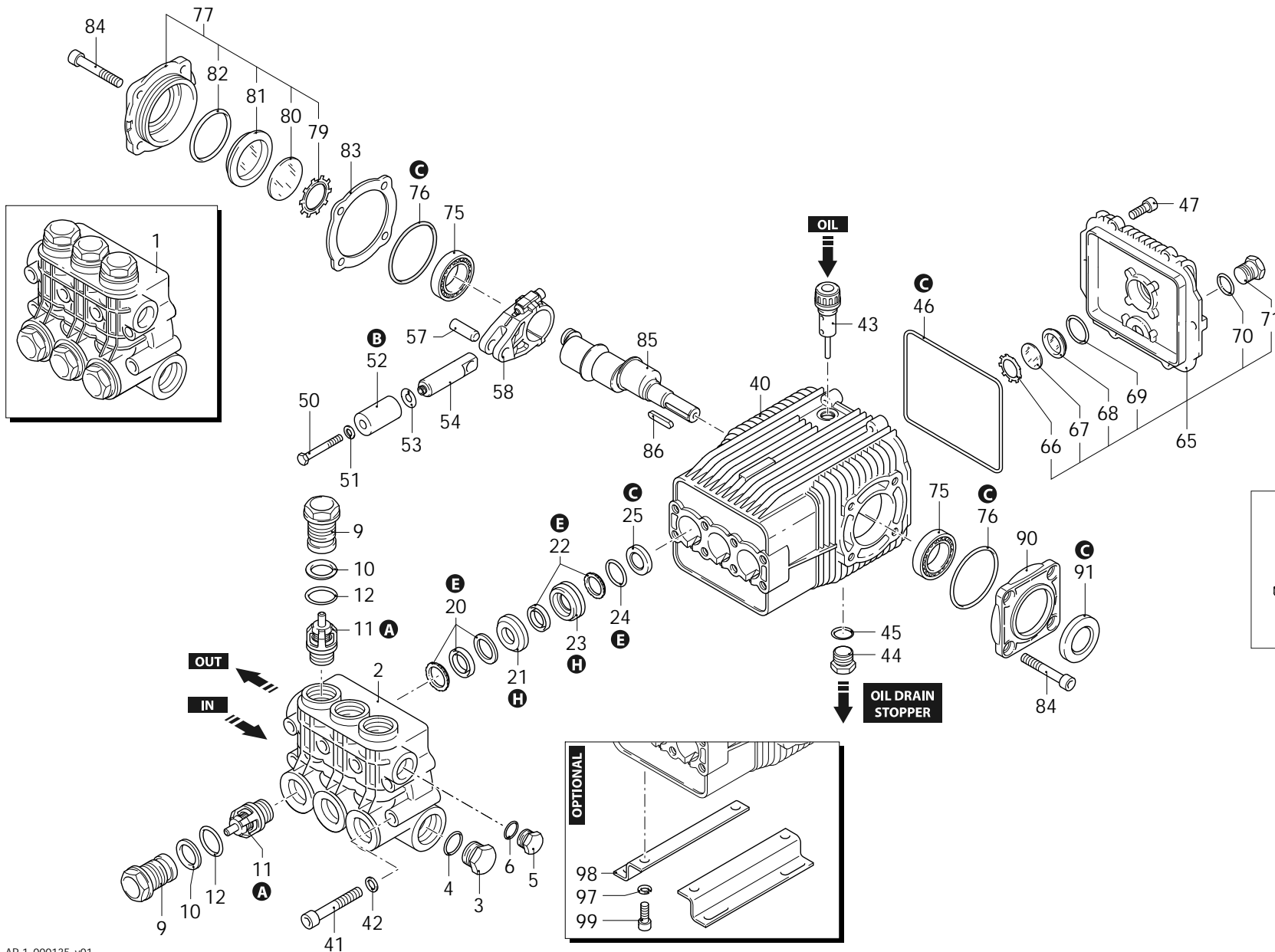


Series 194
SXW

N

1450rpm

ø 24mm



AR-1_000135_v01

30/11/2021



Series 194
SXW

N

1450rpm

∅ 24mm

P	Code	Description	Q	Note	Validity	P	Code	Description	Q	Note	Validity
1	1949220	Head assembly	∅ 18	1		75	1140410	Bearing	2		
2	1942530	Head		1		76	1941380	O-ring	∅ 66,34x2,62	2	
3	820361	Plug	1/2" G brass	1	C=40Nm	77	1949011	Cover		1	
4	180101	O-ring	∅ 17,5x2	1	Lubricate with grease Molykote PG54	79	1941290	Ring		1	
5	1980740	Plug	3/8" G brass	1	C=20Nm	80	1941260	Plate		1	
6	740290	O-ring	∅ 14x1,78	1	Lubricate with grease Molykote PG54	81	1941270	Level gauge		1	
9	1940940	Plug		6		82	100410	O-ring	∅ 34,6x2,62	1	
10	1941070	Ring	anti-extrusion	6		83	1941390	Shim 0.05mm		1	
11	1949051	Complete valve		6		83	1941400	Shim 0.10mm		1	
12	880830	O-ring	∅ 15,54x2,62	6		83	1941410	Shim 0.19mm		1	
20	1942700	Gasket		3	Lubricate with grease Molykote PG54	83	1941420	Shim 0.25mm		1	
21	1942470	Piston guide	front ∅ 18	3		84	850370	Screw	TCEI M8x16	8	C=24,5Nm
22	1942690	Water seal		3	Lubricate with grease Molykote PG54	85	1940980	Shaft	8 marked	1	
23	1942480	Piston guide	rear ∅ 18	3		86	650250	Key		1	
24	820490	O-ring	∅ 34,65x1,78	3		90	1941240	Support		1	
25	1940560	Ring	seal	3		91	820680	Ring	seal	1	Screw with Loxeal 55-14 / C=10Nm
40	1941330	Pump body		1		97	200231	Washer		4	
41	1940260	Screw	TCEI M10x80	8	C=50Nm	98	1940370	Foot		2	
42	650530	Washer		8		99	1940380	Screw	TCEI 10x18	4	C=50Nm
43	1140370	Plug		1		A	2871	Valve kit		1	
44	1980740	Plug	3/8" G brass	1	C=20Nm	B	2872	Piston kit	∅ 18	1	
45	740290	O-ring	∅ 14x1,78	1	Lubricate with grease Molykote PG54	C	2873	Oil seal kit		1	
46	1940410	O-ring	∅ 132x3	1		E	2874	Water seal kit	∅ 18	1	
47	1200430	Screw	TCEI M6x16	6	Screw with Loxeal 55-14 / C=10Nm	H	42120	Piston guide kit	∅ 18	1	
50	1941640	Screw	TE M6x60	3	Screw with Loxeal 55-14 / C=7Nm	L	2248	Tools kit	Head maintenance	1	
51	1340600	Washer		3							
52	1941020	Piston	∅ 18	3							
53	1383190	Plate		3							
54	1940960	Piston	guide	3							
57	1940060	Pin		3							
58	1940051	Connecting-rod	aluminium	3	Lubricate with grease Molykote BR2 PLUS						
65	1949010	Cover	complete	1							
66	1260430	Ring		1							
67	1780690	Plate		1							
68	1260250	Level gauge		1							
69	1140450	O-ring	∅ 20,24x2,62	1	Lubricate with grease Molykote PG54						
70	1980740	Plug	3/8" G brass	1	C=20Nm						
71	740290	O-ring	∅ 14x1,78	1	Lubricate with grease Molykote PG54						

Revision: 1

Oil type: SAE 15W40

Attachment:

Date: 30/11/2021

Oil quantity: 0,870 Kg

C=Tightening torque (Tolerance +0 ÷ -10%)