



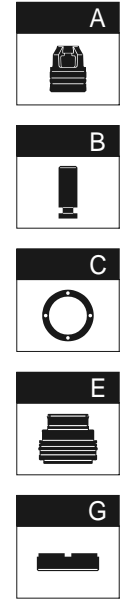
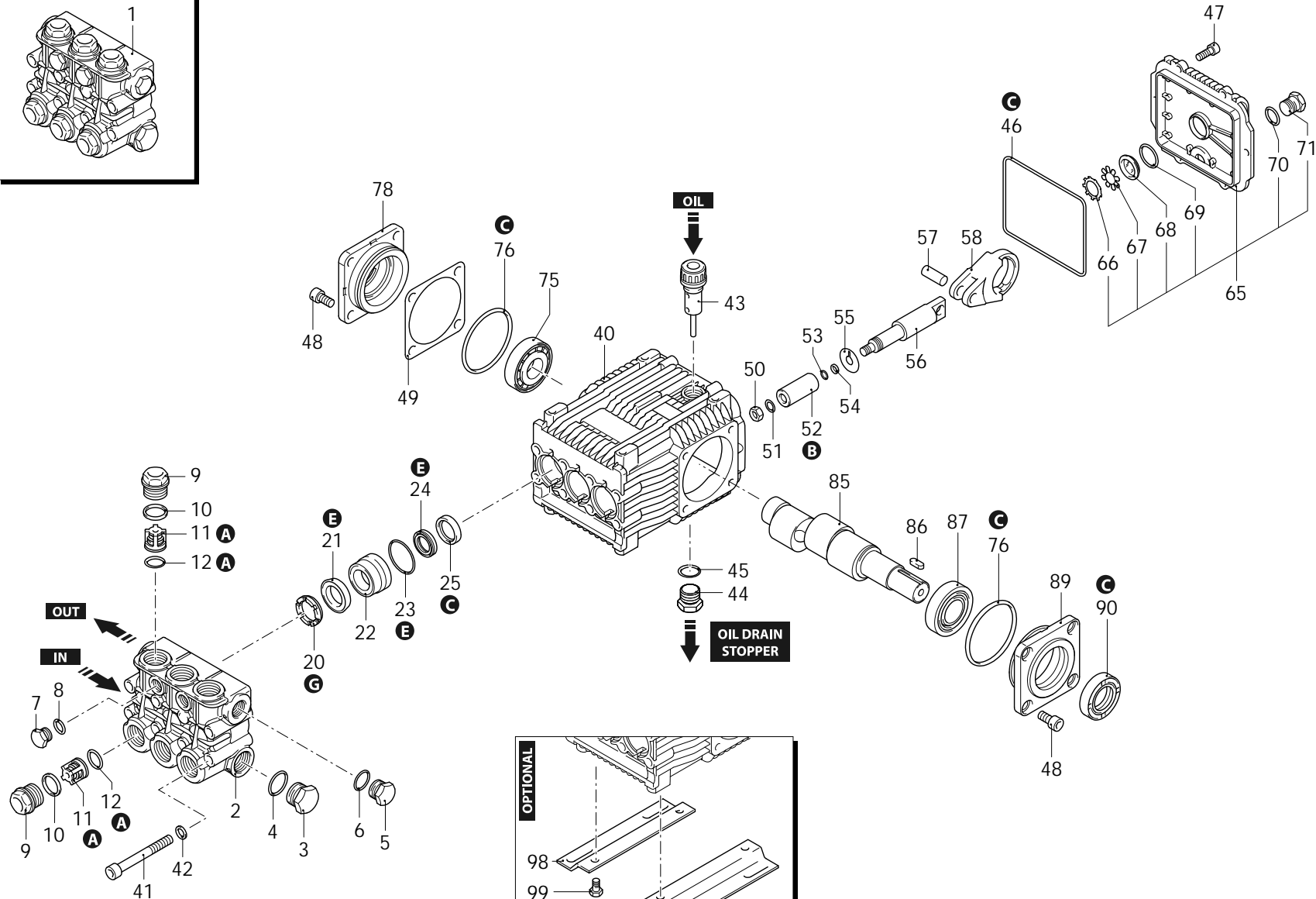
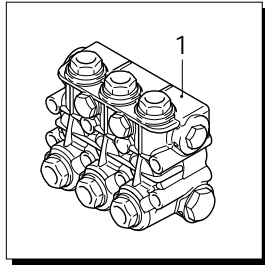
Series 228

RK

N

1450rpm

ø 24mm



AR-1\_000056\_v01

29/11/2021



Series 228

RK

N

1450rpm

ø 24mm

P	Code	Description	Q	Note	Validity	P	Code	Description	Q	Note	Validity
1	1389271	Head assembly	1	Ø 18		58	1383020	Connecting-rod	3	bronze	
2	1381070	Head	1	nickel plated		65	1789010	Cover	1	complete	
3	960870	Plug	1	1/2" G nickel	Screw with Loxeal 55-14 / C=30Nm	66	1260430	Ring	1		
4	180101	O-ring	1	Ø 17,5x2	Lubricate with grease Molykote PG54	67	1780690	Plate	1		
5	1981180	Plug	1	3/8" G nickel	Screw with Loxeal 55-14 / C=20Nm	68	1260250	Level gauge	1		
6	740290	O-ring	1	Ø 14x1,78	Lubricate with grease Molykote PG54	69	1140450	O-ring	1	Ø 20,24x2,62	Lubricate with grease Molykote PG54
7	1380690	Plug	1	1/4" G nickel	Screw with Loxeal 55-14 / C=15Nm	70	740290	O-ring	1	Ø 14x1,78	Lubricate with grease Molykote PG54
8	820510	O-ring	1	Ø 10,82x1,78		71	1980740	Plug	1	3/8" G brass	C=20Nm
9	960850	Plug	6			75	2280340	Bearing	1		
10	960160	O-ring	6	Ø 17,86x2,62	Lubricate with grease Molykote PG54	76	640030	O-ring	2	Ø 59,99x2,62	
11	1389051	Complete valve	6			78	1380050	Support	1	open bearing	
12	880830	O-ring	6	Ø 15,54x2,62		85	2280060	Shaft	1	1 marked	
20	960110	Ring	3	support Ø 18		86	1380520	Key	1		
21	1382740	Water seal	3	Ø 18	Lubricate with grease Molykote PG54	87	1383140	Bearing	1		
22	1380090	Piston guide	3	Ø 18		89	1380040	Support	1	open bearing	
23	961240	O-ring	3	Ø 31,47x1,78		90	2282260	Ring	1	seal	Assemble with tool [2281010]
24	880330	Water seal	3	Ø 18		98	1380141	Foot	2		C=20Nm
25	880520	Ring	3	seal		99	1263130	Screw	4	TE M8x12	C=20Nm
40	1382770	Pump body	1			A	2864	Valve kit	1		
41	820150	Screw	8	TCEI M8x70		B	2757	Piston kit	1	Ø 18	
42	1381850	Washer	8			C	1855	Oil seal kit	1		
43	880130	Plug	1			E	1857	Water seal kit	1	Ø 18	
44	1980740	Plug	1	3/8" G brass	C=20Nm	E	2809	Water seal kit	1	Ø 18 Viton	
45	740290	O-ring	1	Ø 14x1,78	Lubricate with grease Molykote PG54	G	1829	Support ring kit	1	Ø 18	
46	1780510	O-ring	1	Ø 106x3							
47	1343510	Screw	6	TCEI M6x14	C=10Nm						
48	850370	Screw	8	TCEI M8x16	C=24,5Nm						
49	1380120	Shim 0.10mm	1								
49	1380130	Shim 0.19mm	1								
49	1380530	Shim 0.25mm	1								
50	962010	Nut	3								
51	962000	Washer	3		Screw with Loxeal 55-14 / C=20Nm						
52	1380940	Piston	3	Ø 18							
53	600180	O-ring	3	Ø 7,66x1,78							
54	1080401	Ring	3	anti-extrusion							
55	1380950	Plate	3								
56	1380920	Piston	3	guide							
57	1380060	Pin	3								

Revision: 1

Oil type: SAE 15W40

Attachment:

Date: 29/11/2021

Oil quantity: 0,435 Kg

*C=Tightening torque (Tolerance +0 ÷ -10%)*