



Series 194

HXW

1450rpm

P	Code	Description	Q	Note	Validity	P	Code	Description	Q	Note	Validity
1	1949203	Head assembly	Ø 22	1		69	1140450	O-ring	Ø 20,24x2,62	1	Lubricate with grease Molykote PG54
2	1941210	Head		1		70	740290	O-ring	Ø 14x1,78	1	Lubricate with grease Molykote PG54
3	1140300	Plug	3/4" G	1	C=35Nm	71	1980740	Plug	3/8" G brass	1	C=20Nm
4	550350	O-ring	Ø 23,81x2,62	1		75	1140410	Bearing		2	
5	1980740	Plug	3/8" G brass	1	C=20Nm	76	1941380	O-ring	Ø 66,34x2,62	2	
6	740290	O-ring	Ø 14x1,78	1	Lubricate with grease Molykote PG54	77	1949011	Cover		1	
9	1940140	Plug		6		79	1941290	Ring		1	
10	1940150	Ring	anti-extrusion	6		80	1941260	Plate		1	
11	1949050	Complete valve		6		81	1941270	Level gauge		1	
12	1140450	O-ring	Ø 20,24x2,62	12	Lubricate with grease Molykote PG54	82	100410	O-ring	Ø 34,6x2,62	1	
20	1940270	Gasket	Ø 22	3	Lubricate with grease Molykote PG54	83	1941390	Shim 0.05mm		1	
22	1940200	Piston guide	front Ø 22	3		83	1941400	Shim 0.10mm		1	
23	1940480	Gasket	Ø 22	3	Lubricate with grease Molykote PG54	83	1941410	Shim 0.19mm		1	
24	1941220	O-ring	cut Ø 22	3		83	1941420	Shim 0.25mm		1	
25	1940460	Piston guide	rear Ø 22	3		84	850370	Screw	TCEI M8x16	4	C=24,5Nm
26	820490	O-ring	Ø 34,65x1,78	3		85	1940160	Shaft	1 marked	1	
27	1940560	Ring	seal	3		86	650250	Key		1	
40	1941330	Pump body		1		90	1941240	Support		1	
41	1940260	Screw	TCEI M10x80	8	C=50Nm	91	820680	Ring	seal	1	Screw with Loxeal 55-14 / C=10Nm
42	650530	Washer		8		A	2780	Valve kit		1	
43	1140370	Plug		1		B	1891	Piston kit	Ø 22	1	
44	1980740	Plug	3/8" G brass	1	C=20Nm	C	2873	Oil seal kit		1	
45	740290	O-ring	Ø 14x1,78	1	Lubricate with grease Molykote PG54	E	2783	Water seal kit	Ø 22	1	
46	1940410	O-ring	Ø 132x3	1		H	2785	Piston guide kit	Ø 22	1	
47	1200430	Screw	TCEI M6x16	6	Screw with Loxeal 55-14 / C=10Nm						
50	1940570	Nut		3	Screw with Loxeal 55-14 / C=20Nm						
51	1940580	Washer		3							
52	1420120	Piston	Ø 22	3							
53	880840	O-ring	Ø 9,25x1,78	3	Lubricate with grease Molykote G807						
54	1940120	Ring	anti-extrusion	3							
55	960460	Plate		3							
56	1940070	Piston	guide	3							
57	1940060	Pin		3							
58	1940051	Connecting-rod	aluminium	3	Lubricate with grease Molykote BR2 PLUS						
65	1949010	Cover	complete	1							
66	1260430	Ring		1							
67	1780690	Plate		1							
68	1260250	Level gauge		1							

Revision: 1

Oil type: SAE 15W40

Attachment:

Date: 30/11/2021

Oil quantity: 0,870 Kg

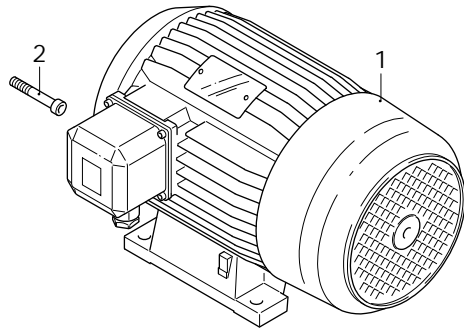
*C=Tightening torque (Tolerance +0 ÷ -10%)*



Series 194  
HXW

1450rpm

P	Code	Description		Q	Note	Validity
1	4391	Motor	Gr.132S	1	10 HP	
2	620610	Screw	TCEI M8x30	4	Screw with Loxeal 55-14 / C=24,5Nm	



AR-1\_000061\_v01

Revision: 1

Oil type: SAE 15W40

Attachment:

Date: 30/11/2021

Oil quantity: 0,870 Kg

*C=Tightening torque (Tolerance +0 ÷ -10%)*