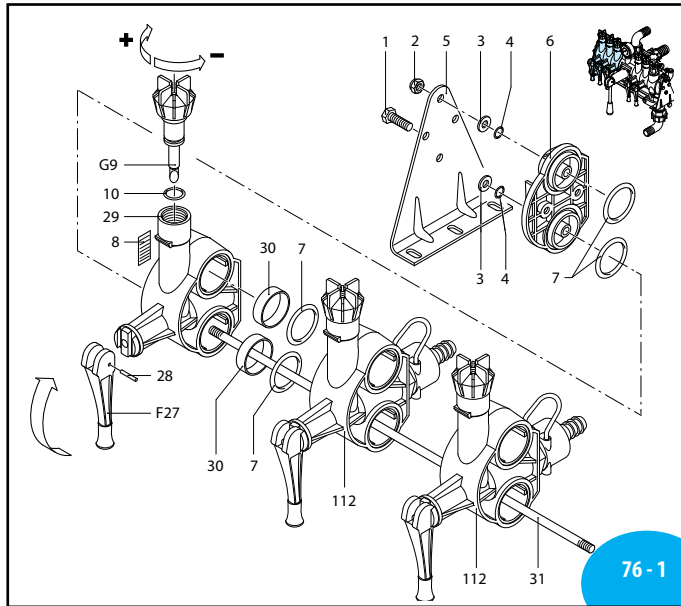
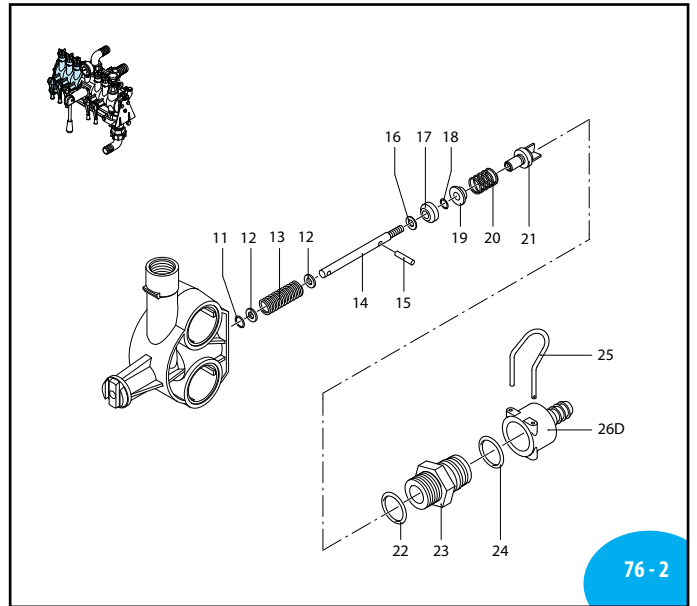


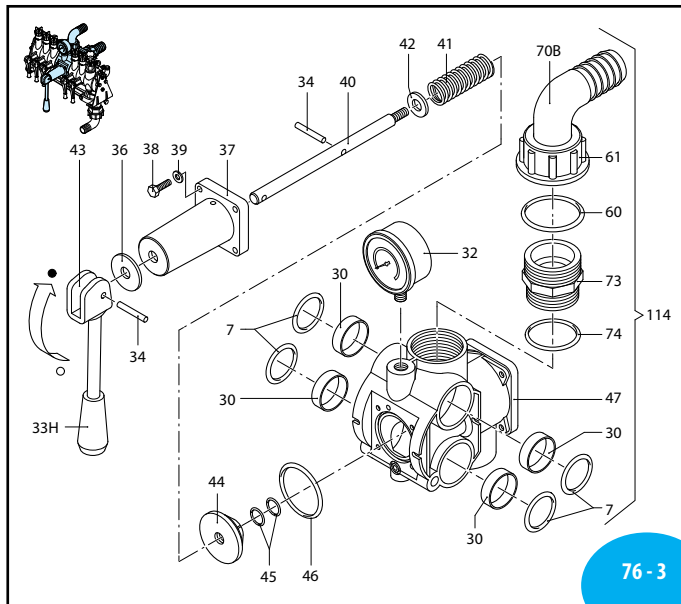
398650



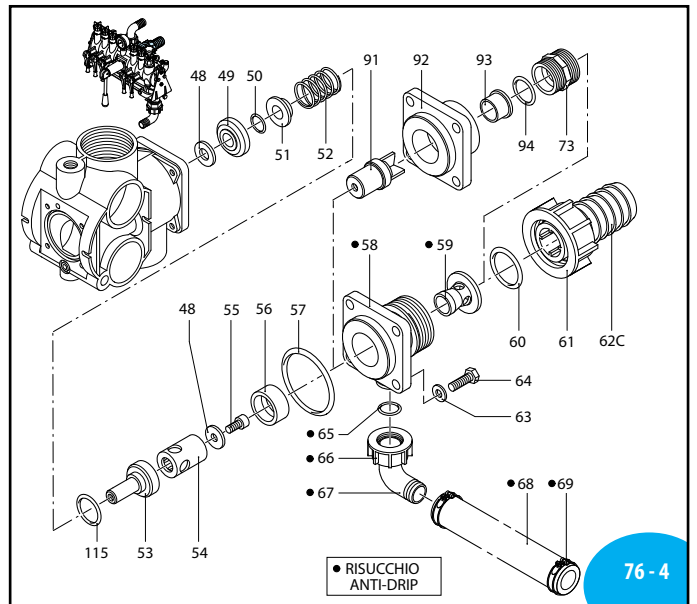
UN970180-LJ



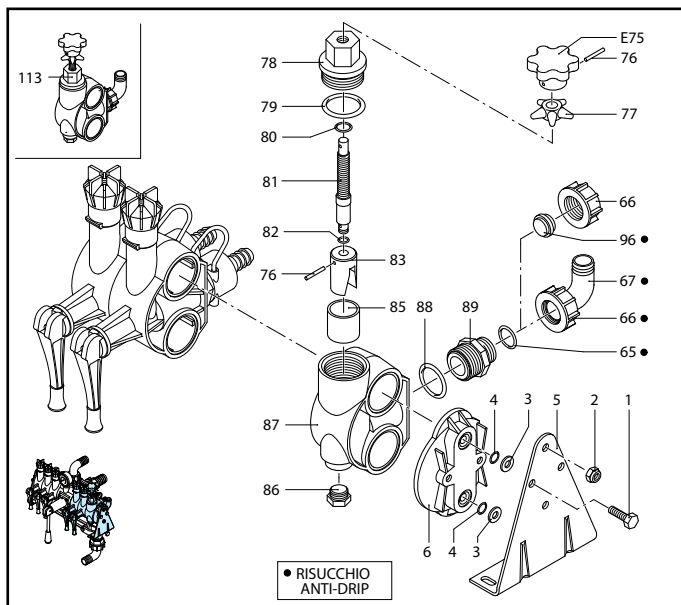
UN970181-LJ



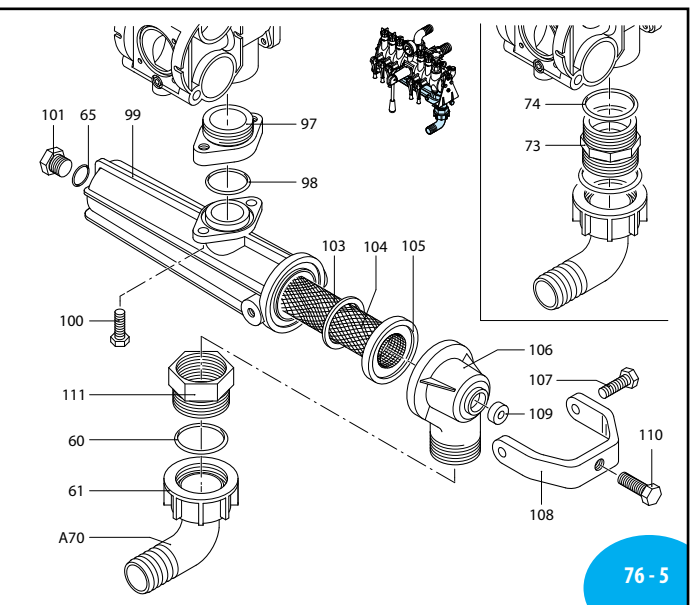
UN970182-LJ



UN970183-LJ



UN970184-LJ




UN970185-LJ

IDROCONSTANT M


Pos.	Cod.	Descrizione	Description	Q.ty	Note
1	180432	Vite TE M 8x20	Bolt	4	C ₂₀
2	160311	Dado M 8 H10	Nut	4	
3	390311	Rosetta ø 8,5	Washer	8	
4	390340	OR ø 7,30x2,4	O-Ring	4	
5	391870	Piede distributore	Base	2	
6	391940	Coperchio corpo rub.	Valve body cap	2	
7	250311	OR ø 36,14x2,62	O-Ring	14	Viton
8	391960	Adesivo scala reg.	Adhesive	4	
9	391710	Regolatore di scarico	Discharge regulator	4	
10	640071	OR ø 13,95x2,62	O-Ring	4	Viton ☒
11	650540	OR ø 6x3	O-Ring	4	
12	392110	Rosetta ø 8,5	Washer	8	
13	391680	Molla asta	Spring	4	
14	391650	Asta valvola	Complete valve rod	4	☉
15	392120	Spina elastica	Pin	4	
16	393790	Rosetta ø 6	Washer	4	
17	391660	Valvola scarico	Discharge valve	4	
18	1020231	OR ø 9,92x2,62	O-Ring	4	Viton
19	391670	Piattello valvola scarico	Discharge valve plate	4	
20	391690	Molla valvola	Spring	4	
21	391640	Valvola mandata	Outlet valve	4	
22	780050	OR ø 28,25x1,78	O-Ring	4	
23	391610	Nipples 1" G	Threaded adapter	4	
24	550350	OR ø 23,81x2,62	O-Ring	4	▶
25	391700	Forcella tubo mandata	Outlet hose fork	4	
26	392500	Portagomma ø 12	Hose tail	4	
27	391620	Portagomma ø 20	Hose tail	4	Optional
28	391630	Portagomma ø 26	Hose tail	4	Optional
29	391720	Leva asta valvola	Valve rod lever	4	
30	390330	Spina elastica	Pin	4	
31	391600	Corpo rubinetto	Valve body	4	
32	391740	Centraggio rubinetti	Ring	10	
33	391951	Prig.4 rub.+valvola	Stud 4 cocks+valve	2	M 8x405
34	391950	Prig.5 rub.+valvola	Stud 5 cocks+valve	2	M 8x475
35	391953	Prig.6 rub.+valvola	Stud 6 cocks+valve	2	M 8x508
36	391954	Prig.7 rub.+valvola	Stud 7 cocks+valve	2	M 8x559
37	391957	Prig.8 rub.+valvola	Stud 8 cocks+valve	2	M 8x610
38	391240	Manometro ø 63	Pressure gauge	1	0-24 bar ☉
39	392180	Manopola	Knob	1	
40	391500	Spina elastica	Pin	2	
41	680560	Vite TCEI M 6x16	Bolt	1	C ₁₀
42	391770	Rondella leva comando	Washer	1	
43	392390	Corpo molla	Spring body	1	
44	1040370	Vite TCEI M 6x22	Bolt	4	
45	550331	Rosetta ø 6,5	Washer	4	
46	392460	Asta	Rod	1	☉
47	395060	Molla	Spring	1	
48	390091	Rosetta ø 13	Washer	1	
49	391800	Leva asta comando	Rod lever	1	
50	392040	Flangia guida asta	Flange	1	
51	390080	OR ø 11,91x2,62	O-Ring	2	☒
52	392490	OR ø 48,89x2,62	O-Ring	1	
53	391760	Corpo distributore	Body	1	
54	394160	Rosetta ø 8	Washer	2	
55	391840	Valvola mandata	Outlet valve	1	
56	640070	OR ø 13,95x2,62	O-Ring	1	
57	391860	Piattello valvola mandata	Outlet valve plate	1	
58	391360	Molla valvola mandata	Outlet valve spring	1	
59	395050	Valvola scarico	Discharge valve	1	
60	394030	Cilindro com. risucchio	Control cylinder	1	
61	394650	Vite TCEI M 8x25	Bolt	1	☉ C ₂₀
62	394010	Sede valvola risucchio	Valve seat	1	
63	640030	OR ø 60x2,62	O-Ring	1	
64	394000	Flangia collegamento	Flange	1	
65	394042	Diffusore ø 11,2	Diffuseur ø 11,2	1	Vedi/See ■
66	394040	Diffusore ø 14	Diffuseur ø 14	1	Vedi/See ◆
67	394041	Diffusore ø 12,5	Diffuseur ø 12,5	1	Vedi/See ▼
68	394043	Diffusore ø 9	Diffuseur ø 9	1	Vedi/See ▲
69	250310	OR ø 36,14x2,62	O-Ring	3	
70	540540	Girello 1"3/4 G	Ring nut	4	
71	391930	Portagomma ø 35	Hose tail	1	
72	180370	Vite TE M 8x25	Bolt	4	

Pos.	Cod.	Descrizione	Description	Q.ty	Note
65	180101	OR ø 17,5x2	O-Ring	3	
66	550450	Girello 3/4" G	Ring nut	2	
67	550460	Curva ø 18	Elbow	2	
68	396220	Tube gommatela	Hose	1	ø16-26 mm bar 25
69	800890	Fascetta 22-31 h9	Clamp	2	
70	392130	Curva ø 35	Elbow	3	
71	391920	Nipples 1"1/2-1"3/4 G(M)	Threaded adapter	2	
72	540360	OR ø 44,12x2,62	O-Ring	2	
73	393860	Volantino ø 50	Wheel	1	
74	391190	Spina elastica	Pin	2	
75	393870	Ghiera controvite	Nut	1	
76	393880	Ghiera guida asta	Ring nut	1	
77	820490	OR ø 34,65x1,78	O-Ring	1	
78	770141	OR ø 11,11x1,78	O-Ring	1	Viton ☒
79	393890	Asta comando	Control rod	1	
80	660190	OR ø 6,07x1,78	O-Ring	1	
81	391182	Valvola volumetrica	Volumetric valve	1	
82	393910	Sede valvola	Seat	1	☐
83	395090	Tappo 3/8" G	Plug	1	☉ C ₂₀
84	393900	Corpo regolazione	Body	1	
85	780050	OR ø 28,25x1,78	O-Ring	1	
86	393690	Nipples 1"-3/4" G(M)-(M)	Threaded adapter	1	
87	391850	Valvola scarico	Discharge valve	1	
88	391880	Flangia scarico	Flange	1	
89	391890	Sede valvola	Valve seat	1	
90	320551	OR ø 37,8x44,8x4	O-Ring	1	Ovalizzato
91	393150	Tappo	Plug	1	
92	392630	Flangia filtro	Filter flange	1	
93	390210	OR ø 39,69x3,53	O-Ring	1	
94	390610	Alloggiamento filtro	Filter housing	1	
95	180370	Vite TE M 8x25	Bolt	2	
96	330170	Tappo 1/2" G	Plug	1	C ₂₀
97	396150	Rete esterna	External grid	1	
98	399000	Filtro esterno	External filter	1	A rich. / Up on req.
99	390580	Filtro interno	Internal filter	1	
100	390600	Guarnizione	Gasket	1	
101	390621	Coperchio filtro	Filter cover	1	
102	160670	Vite TE M 10x25	Bolt	2	C ₄₀
103	390641	Morsetto filtro	Filter clamp	1	
104	390630	Piattello protezione	Protection plate	1	
105	250140	Vite TE M 12x35	Bolt	1	C ₅₀
106	392640	Nipples	Threaded adapter	1	1"3/4-1"1/2G (M)-(F)
107	1556	Rubinetto completo	Complete valve	1	Uscita/Outlet ø 12
108	1564	Valvola volumetrica	Volumetric valve assy.	1	
109	1380	Corpo centrale + R	Central body+R	1	
110	550351	OR ø 23,81x2,62	O-Ring	1	Viton

▲ Per/For: AR 115-135 bp - AR 125-145 bp ▲ Per/For: AR 100 bp - AR 120 bp
 ■ Per/For: AR 160 bp ■ Per/For: AR 150 bp
 ▼ Per/For: AR 185 bp ▼ Per/For: AR 180 bp
 ◆ Per/For: AR 215 bp-250 bp - AR 280 bp ◆ Per/For: AR 230 bp-260 bp



Nota: Le quantità espresse sono riferite alla versione a 4 rubinetti
 Note: The quantities refer to the 4 valves version



KIT 1959 OR O-Rings				KIT 1960 Pronto intervento Maintenance repair			
Pos.	Q.ty	Pos.	Q.ty	Pos.	Q.ty	Pos.	Q.ty
4	4	57	1	7	2	56	1
7	8	60	3	11	1	79	1
10	4	65	3	17	2	83	1
11	4	74	2	21	2		
18	4	79	1	25	1		
22	4	80	1	27	2		
24	4	82	1	45	2		
45	2	88	1	49	1		
46	1	94	1	50	1		
50	1	98	1	53	1		